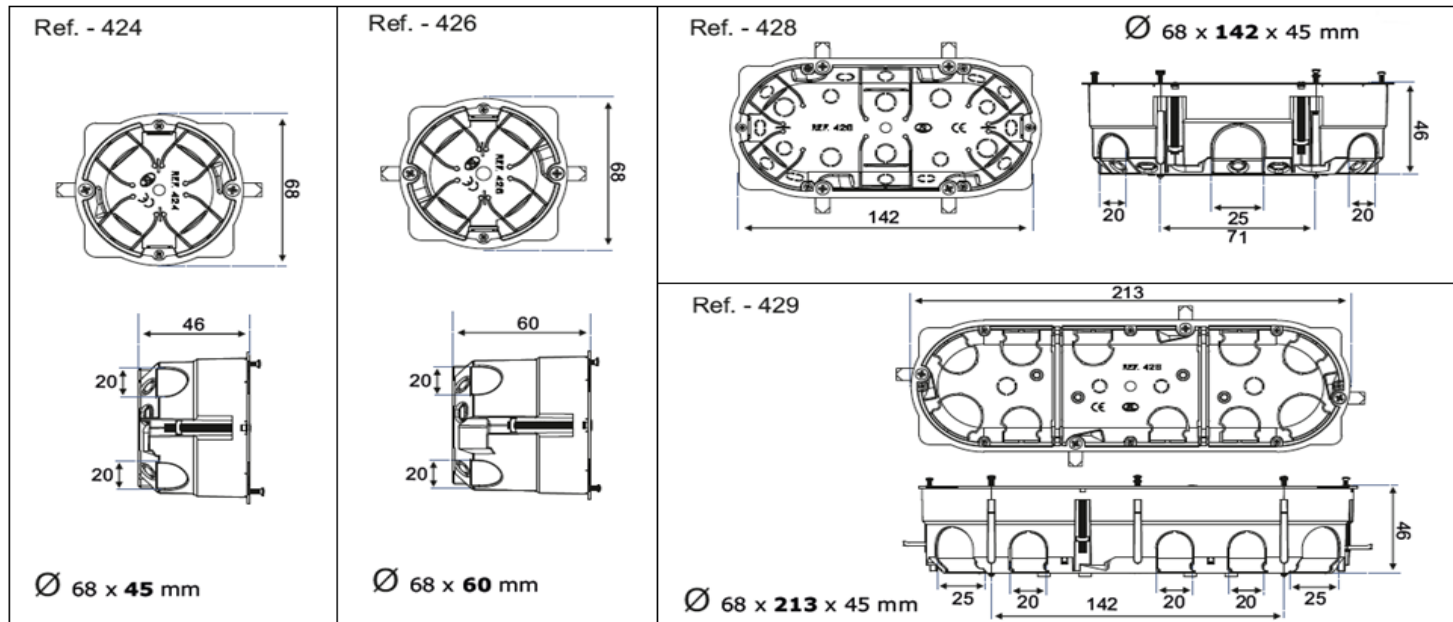


JSL – Material Eléctrico, S.A.

Product: Flush mounting boxes for Plaster - switch box

Reference: 424 | 426 | 428 | 429



PRODUCT CHARACTERISTICS

Type of Material	Thermoplastic	Color Available	Orange
Installation	Plaster	Electrical properties	Electrical insulation
Fixing support	Screws and claws	Chemical properties	Resistant to acid & alkaline solutions
Cutting diameter	Ø 68 mm		Resistance limited to solvents
IP	NA		UV Resistant
IK	NA	Others	Low smoke content
Self-extinguishing	850 °C		Halogen free
Class	M2		
Operating temperature	-5°C +60°C		

APPLICABLE STANDARDS

EN 60670 - Boxes and enclosures for electrical accessories for household and similar fixed electrical installations

EN 60695 - Fire hazard testing. Glowing/hot-wire based test methods